

**PR4.0**

Die-casted Alloy caliper brake for road
 Dimensin: 48-63mm
 Packing: 50sets/CTN 20/19kgs
 Meas: 52 x 29 x 27cm
 压铸铝合金刹拉,公路赛车专用
 刹车块上下限48-63m/m
 包装: 50套/箱
 毛重: 20千克 净重: 19千克
 材积: 52x29x27cm

**PR5.2**

Die-casted Alloy caliper brake for road
 Dimensin: 48-63mm
 Packing: 50sets/CTN 20/19kgs
 Meas: 52 x 29 x 27cm
 压铸铝合金刹拉,公路赛车专用
 刹车块上下限48-63m/m
 包装: 50套/箱
 毛重: 20千克 净重: 19千克
 材积: 52x29x27cm

165A

Cold forged alloy lever for racing bike
 Packing: 50PRS/CTN 18/17kgs
 Meas: 45 x 28 x 24cm
 锻造铝合金,公路赛车专用副闸把,
 可配防护套
 包装: 50套/箱
 毛重: 18千克 净重: 17千克
 材积: 45x28x24cm

**268A**

Cold forged alloy lever for racing bike
 Rubber dust cover available
 Packing: 50PRS/CTN 18/17kgs
 Meas: 45 x 28 x 24cm
 锻造铝合金,公路赛车专用副闸把,
 可配防护套
 包装: 50套/箱
 毛重: 18千克 净重: 17千克
 材积: 45x28x24cm

**166A**

Racing steel (C.P)light alloy lever braket
 Clamp diam: 22.2m/m
 Packing: 50PRS/CTN 18/17kgs
 Meas: 44 x 26 x 25cm
 公路赛车专用钢制(镀)闸把
 锻造铝合金副挡,
 安装直径: 22.2m/m
 包装: 50套/箱
 毛重: 18千克 净重: 17千克
 材积: 44x26x25cm

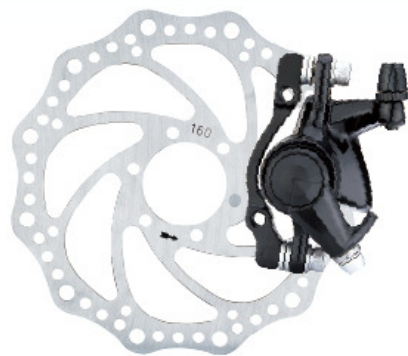


**BV260D**

Die-casted alloy bracket and Lever for-v-brake. or side-pull brake (BL)(BV260D)
2.0-3.0 finger compatible with thumb shifter
Packing: 100PRS/CTN 18.6/17.6kgs
Meas: 46 x 27 x 32cm
铝合压铸螺及握把可配V夹与侧拉夹器(BV260D)
指幅类型: 2.0-3.0 相容thumb 或twist
包装: 100套/箱
毛重: 18.6千克; 净重: 17.6千克
材积: 46x27x32cm

**BV261D**

Die-casted alloy bracket and Lever for-v-brake. or side-pull brake (BL)(BV261D)
2.0-3.0 finger compatible with thumb shifter
Packing: 100PRS/CTN 18.6/17.6kgs
Meas: 46 x 27 x 32cm
铝合压铸螺及握把可配V夹与侧拉夹器(BV261D)
指幅类型: 2.0-3.0 相容thumb 或twist
包装: 100套/箱
毛重: 18.6千克; 净重: 17.6千克
材积: 46x27x32cm

**MK6.2**

Melt forged aluminum mechanical disc brake
Aluminum alloy caliper
Stainless steel rotor 160-140mm
W/return spring & metallic compound pads
Easy installation and low maintenance
Weight 254g/wheel
压铸铝合金机械式碟刹, 铝合金卡钳
160-140mm 不锈钢碟盘
标准自动回位弹簧, 易安装维护
重量: 254g/WHEEL

**MK6.1**

Melt forged aluminum mechanical disc brake
Ball bearing system
Stainless steel rotor [140mm,180mm,203mm available]
W/return spring
International mounting dimension
Standard finish powder coated black
Weight 254g/wheel
压铸铝合金机械式碟刹, 滚珠轴承系统
140MM, 180MM, 203MM 可用不锈钢碟盘
标准自动回位弹簧, 配合国际标准前后叉装配
标准完成粉末涂黑色
重量: 254g/WHEEL

**MK6.0**

Melt forged aluminum mechanical disc brake
Ball bearing system
Stainless steel rotor [140mm,180mm,203mm available]
W/return spring
International mounting dimension
Standard finish powder coated black
Weight 254g/wheel
压铸铝合金机械式碟刹, 滚珠轴承系统
140MM, 180MM, 203MM 可用不锈钢碟盘
标准自动回位弹簧, 配合国际标准前后叉装配
标准完成粉末涂黑色
重量: 254g/WHEEL

**B259D**

Die-cast Alloy Bracket and Lever
2.5finger length for side pull/u-type brake
Packing: 100PRS/CTN 18/17kgs
Meas: 46 x 27 x 32cm
铝合压铸螺及握把可配U型与侧拉夹器
指幅类型: 2.50
包装: 50套/箱
毛重: 18千克 净重: 17千克
材积: 46x27x32cm

**B259C**

Resin Bracket and Die-cast Alloy Lever (BV259C)
2.5finger length for side pull/u-type brake
Packing: 100PRS/CTN 16/15kgs
Meas: 46 x 27 x 32cm
尼龙加纤无毒耐寒螺, 压铸铝合金握把,
可配U型与侧拉夹器
指幅类型: 2.50
包装: 50套/箱
毛重: 16千克 净重: 15千克
材积: 46x27x32cm

**B216D/C**

Die-casted alloy bracket and Lever
for-U-brake. or side-pull brake (BL)(B216D)
Resin Bracket and Die-cast Alloy Lever (B216C)
2-2.5finger compatible with thumb shifter
Packing: 100PRS/CTN 18.6/17.6kgs
Meas: 46 x 27 x 32cm
铝合压铸螺及握把可配U夹与侧拉夹器(B216D)
尼龙加纤无毒耐寒螺, 压铸铝合金握把(B216C)
指幅类型: 2-2.5相容thumb 或twist
包装: 100套/箱
毛重: 18.6千克; 净重: 17.6千克
材积: 46x27x32cm



B216C

**BV325C**

Resin Bracket and Die-cast Alloy Lever
2.5-3finger length for V-type or
side-pull brake (BL)
Packing: 100PRS/CTN 20/19kgs
Meas: 46 x 27 x 32cm
尼龙加纤无毒耐寒螺, 压铸铝合金握
把可配V夹与侧拉夹器
指幅类型: 3.0相容thumb或twist
包装: 100套/箱
毛重: 20千克 净重: 19千克
材积: 46x27x32cm

**BV325DG**

2-3-finger Die-casted alloy bracket and
Lever for v-type or side-pull brake
Packing: 100PRS/CTN 21/20kgs
Meas: 46 x 27 x 32cm
铝合压铸螺及握把可配V夹与侧拉夹器
指幅类型: 2-3.0相容thumb或twist
包装: 100套/箱
毛重: 21千克 净重: 20千克
材积: 46x27x32cm

**BV325D**

2-3-finger Die-casted alloy bracket and Lever
for v-type or side-pull brake
Packing: 100PRS/CTN 21/20kgs
Meas: 46 x 27 x 32cm
铝合压铸螺及握把可配V夹与侧拉夹器
指幅类型: 2-3.0相容thumb或twist
包装: 100套/箱
毛重: 21千克 净重: 20千克
材积: 46x27x32cm



Road brake system



公路跑车刹把夹器。



all-round u-brake lever
for bmx & freestyle



表演车
刹把夹器。



银驰车业有限公司是专业制造自行车刹车器系统的厂商。公司拥有专业的研发人员和具有丰富实践经验的技术人员为核心的生产队伍，来提升产品的品质，树立公司的品牌，严格实施、执行ISO质量管理体系程序运作,按照国际行业标准生产。欢迎国内外客商莅临本公司洽谈、指导。公司拥有自主知识产权，自主进、出口权，以“造型美观、性能可靠、价格合理、诚信服务”的宗旨服务于国内、外客户，产品远销往欧、美等国家和地区。产品经由中国人民保险公司提供产品责任保险，同时，本公司的产品已通过欧洲EN标准认证取得证书。公司以“以人为本，求实进取，永续经营，共谋发展”为经营方针，不断完善自我和提升自我，制造客户满意的产品是公司永远追求的目标。竭诚欢迎国内外客商莅临本公司洽谈、指导。



产品配置订购代码

400以下为闸把

400以上为夹器

BV: 刹把前面“BV”代表可配侧拉闸、V型闸、悬臂闸

(B. 代表线头座为下孔, 可配侧拉闸、悬臂闸)

(V. 代表线头座为上孔, 可配V型闸)

S: 铁材质

P: 塑料材质

D: 压铸铝材质

A: 锻造铝材质

DK: V夹的直线(线性)型弹簧

DS: V夹的圈形弹簧

E: 经济型

C: 刹把的蝶为塑料材质, 握把为铝合金

G: 刹把可配旋转式调速转把

SP: 蝶铁, 握把塑料包铁

Cixi Yinchi Bicycle Parts Co., Ltd. Is a specialty manufacturer of bicycle brake system. The company introduces the advanced technology and management system in recent years and a production team is shaped in which, the professional research engineers and technicians with rich practical experiences play the key role. The product quality is improved and the company brand is set up. The company strictly carries out ISO quality management system and manufactures the products in accordance with international trade standard. The company holds its own intellectual property and has been entitled to engage in the import and export business in China. The company upholds the purpose of “artistic look, reliable performance, rational price and sincere service” to provide service to worldwide customers. The products sell well in Europe and America. The product liability insurance has been insured by PICC. The products has passed European EN standard certification. Under the operating policy of “Be human-orientated, realistic and keep forging ahead for lasting operation and development together”, the company perfects and elevates itself and it is the target that the company seeks for to manufacture the products to satisfy customers. Both domestic and abroad customers are sincerely welcomed for business negotiation and your advice is highly appreciated.



U969D

Dis-casted Alloy u-type brake
 Dimensin: 33-53mm
 Packing: 50sets/CTN 21/20kgs
 Meas: 27 x 24 x 27cm
 铝合金压铸U型夹器。
 刹车块上下限线: 33-53mm
 包装: 50套/箱
 毛重: 21千克 净重: 20千克
 材积: 27x24x27cm



U969S

Steel u-type brake
 Dimensin: 33-59mm
 Packing: 50sets/CTN 16/15kgs
 Meas: 27 x 24 x 27cm
 铁冲压U型夹器
 刹车块上下限线: 33-59mm
 包装: 50套/箱
 毛重: 16千克 净重: 15千克
 材积: 27x24x27cm



U969SQ

Steel u-type brake
 Dimensin: 33-59mm
 Packing: 50sets/CTN 16/15kgs
 Meas: 27 x 24 x 27cm
 铁冲压U型夹器
 刹车块上下限线: 33-59mm
 包装: 50套/箱
 毛重: 16千克 净重: 15千克



SB-1001D

Die-cast alloy caliper brake
 Dimension: 65-85mm
 Optional finish: Hi-polish, color to order
 Packing: 50SETS/CTN 20/19kgs
 Meas: 52 x 29 x 27cm
 压铸铝合金侧拉
 刹车块上下限65-85mm
 表面处理: 高抛或依指定
 包装: 50套/箱
 毛重: 20千克 净重: 19千克
 材积: 52x29x27cm



GYRO

1" or 1.1/8"
 CP finish or ED black finish
 Upper and lower cable
 Packing: 50PRS/CTN 31/30kgs
 Meas: 45 x 25 x 20cm
 铁冲压成型: 25.3m/m, 28.6m/m
 表面处理: CP/ED
 前移线, 后移线
 包装: 50套/箱
 毛重: 31千克 净重: 30千克
 材积: 45x25x20cm



BV323DG/CG

Die-casted alloy bracket and Lever for-v-brake.
or side-pull brake (BL)(BV323DG)
Resin Bracket and Die-cast Alloy Lever (BV323CG)
2-3finger compatible with thumb shifter
Packing: 100PRS/CTN 18.6/17.6kgs
Meas: 46 x 27 x 32cm
铝合压铸螺及握把可配V夹与侧拉夹器(BV323DG)
尼龙加纤无毒耐寒螺,压铸铝合金握把(BV323CG)
指幅类型: 3.0相容thumb 或twist
包装: 100套/箱
毛重: 18.6千克; 净重: 17.6千克
材积: 46x27x32cm



BV323CG



BV322DG

Die-casted alloy bracket and Lever for-v-brake.
or side-pull brake (BL)(BV322DG)
2.5-3 finger compatible with thumb shifter
Packing: 100PRS/CTN 18.6/17.6kgs
Meas: 46 x 27 x 32cm
铝合压铸螺及握把可配V夹与侧拉夹器(BV322DG)
指幅类型: 2.5-3相容thumb 或twist
包装: 100套/箱
毛重: 18.6千克; 净重: 17.6千克
材积: 46x27x32cm



BV342D

Die-casted alloy bracket and Lever for-v-brake.
or side-pull brake (BL)(BV342D)
3.5-4 finger compatible with thumb shifter
Packing: 100PRS/CTN 18.6/17.6kgs
Meas: 46 x 27 x 32cm
铝合压铸螺及握把可配V夹与侧拉夹器(BV342D)
指幅类型: 3.5-4相容thumb 或twist
包装: 100套/箱
毛重: 18.6千克; 净重: 17.6千克
材积: 46x27x32cm



BV343D

Die-casted alloy bracket and Lever for-v-brake.
or side-pull brake (BL)(BV343D)
3.5-4 finger compatible with thumb shifter
Packing: 100PRS/CTN 18.6/17.6kgs
Meas: 46 x 27 x 32cm
铝合压铸螺及握把可配V夹与侧拉夹器(BV343D)
指幅类型: 3.5-4相容thumb 或twist
包装: 100套/箱
毛重: 18.6千克; 净重: 17.6千克
材积: 46x27x32cm



BV312D

2-3finger Die-casted alloy bracket and Lever for-v-brake. or side-pull brake (BL)
 Packing: 100PRS/CTN 20.4/19.4kgs
 Meas: 42 x 29 x 26cm
 铝合压铸螺及握把可配V夹与侧拉夹器
 指幅类型: 3.0相容thumb或twist
 包装: 100套/箱
 毛重: 20.4千克 净重: 19.4千克
 材积: 46x27x32cm



BV319DG/CG

Die-casted alloy bracket and Lever for-v-brake. or side-pull brake (BL)(BV319DG)
 Resin Bracket and Die-cast Alloy Lever (BV319CG)
 2-2.5finger compatible with thumb shifter
 Packing: 100PRS/CTN 18.6/17.6kgs
 Meas: 46 x 27 x 32cm
 铝合压铸螺及握把可配V夹与侧拉夹器(BV319DG)
 尼龙加纤无毒耐寒螺,压铸铝合金握把(BV319CG)
 指幅类型: 3.0相容thumb 或twist
 包装: 100套/箱
 毛重: 18.6千克; 净重: 17.6千克
 材积: 46x27x32cm



BV319CG



BV320DG/CG

Die-casted alloy bracket and Lever for-v-brake. or side-pull brake (BL)(BV320DG)
 Resin Bracket and Die-cast Alloy Lever (BV320CG)
 2-3finger compatible with thumb shifter
 Packing: 100PRS/CTN 18.6/17.6kgs
 Meas: 46 x 27 x 32cm
 铝合压铸螺及握把可配V夹与侧拉夹器(BV320DG)
 尼龙加纤无毒耐寒螺,压铸铝合金握把(BV320CG)
 指幅类型: 3.0相容thumb 或twist
 包装: 100套/箱
 毛重: 18.6千克; 净重: 17.6千克
 材积: 46x27x32cm



BV320CG



BV313DG

Die-casted alloy bracket and Lever for-v-brake. or side-pull brake (BL)(BV313DG)
 2.5-3.0finger compatible with thumb shifter
 Packing: 100PRS/CTN 18.6/17.6kgs
 Meas: 46 x 27 x 32cm
 铝合压铸螺及握把可配V夹与侧拉夹器(BV313DG)
 指幅类型: 2.5-3.0相容thumb 或twist
 包装: 100套/箱
 毛重: 18.6千克; 净重: 17.6千克
 材积: 46x27x32cm



BV314D

Die-casted alloy bracket and Lever for-v-brake. or side-pull brake (BL)(BV314D)
 2.5-3.0finger compatible with thumb shifter
 Packing: 100PRS/CTN 18.6/17.6kgs
 Meas: 46 x 27 x 32cm
 铝合压铸螺及握把可配V夹与侧拉夹器(BV314D)
 指幅类型: 2.5-3.0相容thumb 或twist
 包装: 100套/箱
 毛重: 18.6千克; 净重: 17.6千克
 材积: 46x27x32cm



BV316D/CG/PG

Die-casted alloy bracket and Lever for-v-brake. or side-pull brake (BV316DG)
 Resin Bracket and Die-cast Alloy Lever (BV316CG)
 Resin Bracket and ressin lever steel insert (BV316PG)
 2-3finger compatible with thumb shifter
 Packing: 100PRS/CTN 10.8/9.8kgs
 Meas: 42 x 27 x 31cm
 铝合压铸螺及握把可配V夹与侧拉夹器(BV316DG)
 尼龙加纤无毒耐寒螺,压铸铝合金握把(BV316CG)
 尼龙加纤无毒耐寒螺,包铁握把(BV316PG)
 指幅类型: 3.0相容thumb 或twist
 包装: 100套/箱
 毛重: 18.6千克; 净重: 17.6千克
 材积: 46x27x32cm



BV316CG



BV316PG



BV311D

3-3.5finger Die-casted alloy bracket and Lever for-v-brake. or side-pull brake (BL)
Packing: 100PRS/CTN 21.4/19.4kgs
Meas: 43 x 26 x 25cm
铝合压铸蝶及握把可配V夹与侧拉夹器
指幅类型: 4.0相容thumb或twist
包装: 100套/箱
毛重: 21.4千克 净重: 19.4千克
材积: 46x27x32cm



BV334D

2-3finger Die-casted alloy bracket and Lever for-v-brake. or side-pull brake (BL)
Packing: 100PRS/CTN 20.4/19.4kgs
Meas: 42 x 29 x 26cm
铝合压铸蝶及握把可配V夹与侧拉夹器
指幅类型: 3.0相容thumb或twist
包装: 100套/箱
毛重: 20.4千克 净重: 19.4千克
材积: 46x27x32cm



BV393CG

Resin Bracket and Die-cast Alloy Lever (BV393CG), Resin Bracket and resin lever steel insert (BV393PG)
3.5-4finger compatible with thumb shifter
Packing: 100PRS/CTN 10.8/9.8kgs
Packing: 100PRS/CTN 21.4/19.4kgs
Meas: 46 x 27 x 32cm
尼龙加纤无毒耐寒蝶,压铸铝合金握把(BV393CG)
尼龙加纤无毒耐寒蝶,包铁握把(BV393PG)
指幅类型: 3.5-4.0相容thumb或twist
包装: 100套/箱
毛重: 21.4千克 净重: 19.4千克
材积: 46x27x32cm



(B393PG)



BV332DG/CG

Die-casted alloy bracket and Lever for-v-brake. or side-pull brake (BL)(BV332DG)
Resin Bracket and Die-cast Alloy Lever (BV332CG)
2-3finger compatible with thumb shifter
Packing: 100PRS/CTN 18.6/17.6kgs
Meas: 46 x 27 x 32cm
铝合压铸蝶及握把可配V夹与侧拉夹器(BV332DG)
尼龙加纤无毒耐寒蝶,压铸铝合金握把(BV332CG)
指幅类型: 3.0相容thumb或twist
包装: 100套/箱
毛重: 18.6千克; 净重: 17.6千克
材积: 46x27x32cm



BV332CG



BV326DG

Die-casted alloy bracket and Lever for-v-brake. or side-pull brake (BL)(BV326DG)
3.5-4 finger compatible with thumb shifter
Packing: 100PRS/CTN 18.6/17.6kgs
Meas: 46 x 27 x 32cm
铝合压铸蝶及握把可配V夹与侧拉夹器(BV326DG)
指幅类型: 3.5-4 相容thumb或twist
包装: 100套/箱
毛重: 18.6千克; 净重: 17.6千克
材积: 46x27x32cm



BV326D

Die-casted alloy bracket and Lever for-v-brake. or side-pull brake (BL)(BV326D)
3.5-4 finger compatible with thumb shifter
Packing: 100PRS/CTN 18.6/17.6kgs
Meas: 46 x 27 x 32cm
铝合压铸蝶及握把可配V夹与侧拉夹器(BV326D)
指幅类型: 3.5-4相容thumb或twist
包装: 100套/箱
毛重: 18.6千克; 净重: 17.6千克
材积: 46x27x32cm



BV326CG

Resin Bracket and Die-cast Alloy Lever (BV326CG)
 3.5-4finger compatible with thumb shifter
 Packing: 100PRS/CTN 10.8/9.8kgs
 Packing: 100PRS/CTN 21.4/19.4kgs
 Meas: 46 x 27 x 32cm
 尼龙加纤无毒耐寒螺,压铸铝合金握把(BV326CG)
 指幅类型: 3.5-4.0相容thumb或twist
 包装: 100套/箱
 毛重: 21.4千克 净重: 19.4千克
 材积: 46x27x32cm



BV355D/C

Die-casted alloy bracket and Lever for-v-brake.
 or side-pull brake (BL)(BV355D)
 Resin Bracket and Die-cast Alloy Lever (BV355C)
 3-3.5finger compatible with thumb shifter
 Packing: 100PRS/CTN 18.6/17.6kgs
 Meas: 46 x 27 x 32cm
 铝合压铸螺及握把可配V夹与侧拉夹器(BV355D)
 尼龙加纤无毒耐寒螺,压铸铝合金握把(BV355C)
 指幅类型: 3.0相容thumb或twist
 包装: 100套/箱
 毛重: 18.6千克; 净重: 17.6千克
 材积: 46x27x32cm



BV355CG



BV333D/BV337D

2-3finger Die-casted alloy bracket and Lever
 for-v-brake. or side-pull brake (BL)(BV333D)
 2-2.5finger Die-casted alloy bracket and
 Lever for-v-brake. or side-pull brake (BL)
 (BV337D)
 Packing: 100PRS/CTN 19/18kgs
 Meas: 46 x 27 x 32cm
 铝合压铸螺及握把可配V夹与侧拉夹器
 指幅类型: 3.0相容thumb或twist
 包装: 100套/箱
 毛重: 19千克 净重: 18千克
 材积: 46x27x32cm



BV337D



BV445CG/PG

Resin Bracket and Die-cast Alloy Lever (BV445CG)
 3.5-4finger compatible with thumb shifter
 Resin Bracket and resin lever steel insert (BV445PG)
 2-3finger compatible with thumb shifter
 Packing: 100PRS/CTN 10.8/9.8kgs
 Packing: 100PRS/CTN 21.4/19.4kgs
 Meas: 46 x 27 x 32cm
 尼龙加纤无毒耐寒螺,压铸铝合金握把(BV445CG)
 尼龙加纤无毒耐寒螺,包铁握把(BV445PG)
 指幅类型: 4.0相容thumb或twist
 包装: 100套/箱
 毛重: 21.4千克 净重: 19.4千克
 材积: 46x27x32cm



BV445PG



BV343CG

Resin Bracket and Die-cast Alloy Lever (BV343CG)
 3.5-4finger compatible with thumb shifter
 Packing: 100PRS/CTN 10.8/9.8kgs
 Packing: 100PRS/CTN 21.4/19.4kgs
 Meas: 46 x 27 x 32cm
 尼龙加纤无毒耐寒螺,
 压铸铝合金握把(BV343CG)
 指幅类型: 3.5-4.0相容thumb或twist
 包装: 100套/箱
 毛重: 21.4千克 净重: 19.4千克
 材积: 46x27x32cm

**BV324CG/PG**

Resin bracket and die-casted Lever for v-brake, or side-pull brake (BL)(BV324CG)
Resin Bracket and Steel insert Lever (BV324PG)
2-2.5finger compatible with thumb shifter
Packing: 100PRS/CTN 18.6/17.6kgs
Meas: 46 x 27 x 32cm

尼龙加纤螺及握把可配V夹与侧拉夹器(BV324CG)
尼龙加纤无毒耐寒螺,塑包铁握把(BV324PG)
指幅类型: 2-2.5相容thumb 或twist
包装: 100套/箱
毛重: 18.6千克; 净重: 17.6千克
材积: 46x27x32cm



BV324PG

**BV263C**

Resin Bracket and Die-cast Alloy Lever (BV263C)
3.5-4finger compatible with thumb shifter
Packing: 100PRS/CTN 10.8/9.8kgs
Meas: 46 x 27 x 32cm

尼龙加纤无毒耐寒螺,压铸铝合金握把(BV263C)
指幅类型: 3.5-4.0相容thumb或twist
包装: 100套/箱
毛重: 21.4千克; 净重: 19.4千克
材积: 46x27x32cm

**BV331CG**

Resin Bracket and Die-cast Alloy Lever
3finger length for V-type or side-pull brake (BL)
Packing: 100PRS/CTN 20/19kgs
Meas: 46 x 27 x 32cm

尼龙加纤无毒耐寒螺,压铸铝合金握把可配V夹与侧拉夹器
指幅类型: 3.0相容thumb或twist
包装: 100套/箱
毛重: 20千克; 净重: 19千克
材积: 46x27x32cm

**BV263P**

Resin Bracket and ressin steel insert lever
2.5-3finger length for side-pull brake
Packing: 100PRS/CTN 10.8/9.8kgs
Meas: 46 x 27 x 32cm

尼龙加纤无毒耐寒螺,高级塑料嵌入内铁成型握把
指幅类型: 2.5-3.0相容thumb 或twist
包装: 100套/箱
毛重: 10.8千克; 净重: 9.8千克
材积: 46x27x32cm

**B395P/B394P**

Resin Bracket and ressin steel insert lever
3finger length for side-pull brake (BL)
Packing: 100PRS/CTN 10.8/9.8kgs
Meas: 46 x 27 x 32cm

尼龙加纤无毒耐寒螺,高级塑料嵌入内铁成型握把
指幅类型: 3.0相容thumb 或twist
包装: 100套/箱
毛重: 10.8千克; 净重: 9.8千克
材积: 46x27x32cm



B394P

**B238P**

Resin Bracket and ressin steel insert lever
2.5finger length for side-pull brake (BL)
Packing: 100PRS/CTN 9.6/8.6kgs
Meas: 46 x 27 x 32cm

尼龙加纤无毒耐寒螺,高级塑料嵌入内铁成型握把
指幅类型: 2.50相容thumb或twist
包装: 100套/箱
毛重: 9.8千克; 净重: 8.8千克
材积: 46x27x32cm



BV345D

Die-casted alloy bracket and Lever for v-brake. or side-pull brake (BL)(BV345D)
3.5-4 finger compatible with thumb shifter
Packing: 100PRS/CTN 18.6/17.6kgs
Meas: 46 x 27 x 32cm
铝合压铸螺及握把可配V夹与侧拉夹器(BV345D)
指幅类型: 3.5-4相容thumb 或twist
包装: 100套/箱
毛重: 18.6千克; 净重: 17.6千克
材积: 46x27x32cm



BV346DG

Die-casted alloy bracket and Lever for v-brake. or side-pull brake (BL)(BV346D)
3.5-4 finger compatible with thumb shifter
Packing: 100PRS/CTN 18.6/17.6kgs
Meas: 46 x 27 x 32cm
铝合压铸螺及握把可配V夹与侧拉夹器(BV346D)
指幅类型: 3.5-4相容thumb 或twist
包装: 100套/箱
毛重: 18.6千克; 净重: 17.6千克
材积: 46x27x32cm



BV346CG

Resin Bracket and Die-cast Alloy Lever (BV346CG),
3.5-4finger compatible with thumb shifter
Packing: 100PRS/CTN 10.8/9.8kgs
Packing: 100PRS/CTN 21.4/19.4kgs
Meas: 46 x 27 x 32cm
尼龙加纤无毒耐寒螺,压铸铝合金握把(BV346CG)
指幅类型: 3.5-4.0相容thumb或twist
包装: 100套/箱
毛重: 21.4千克; 净重: 19.4千克
材积: 46x27x32cm



BV347DG

Die-casted alloy bracket and Lever side-pull brake
3.5-4finger compatible with thumb shifter
Packing: 100PRS/CTN 25.6/24.6kgs
Meas: 46 x 27 x 32cm
铝合压铸螺及握把可配侧拉夹器
指幅类型: 4.0相容thumb 或twist
包装: 100套/箱
毛重: 25.6千克; 净重: 24.9千克
材积: 46x27x32cm



BV348DG

Die-casted alloy bracket and Lever side-pull brake
3.5-4finger compatible with thumb shifter
Packing: 100PRS/CTN 25.6/24.6kgs
Meas: 46 x 27 x 32cm
铝合压铸螺及握把可配侧拉夹器
指幅类型: 4.0相容thumb 或twist
包装: 100套/箱
毛重: 25.6千克; 净重: 24.9千克
材积: 46x27x32cm



BV349DG

Die-casted alloy bracket and Lever for v-brake. or side-pull brake (BL)(BV349DG)
3.5-4 finger compatible with thumb shifter
Packing: 100PRS/CTN 18.6/17.6kgs
Meas: 46 x 27 x 32cm
铝合压铸螺及握把可配V夹与侧拉夹器(BV349DG)
指幅类型: 3.5-4相容thumb 或twist
包装: 100套/箱
毛重: 18.6千克; 净重: 17.6千克
材积: 46x27x32cm



BV210DG

BV210DG/CG/PG

Die-casted alloy bracket and Lever for-v-brake, or side-pull brake (BV210DG)
 Resin Bracket and Die-cast Alloy Lever (BV210CG)
 Resin Bracket and resin lever steel insert (BV210PG)
 2-2.5finger compatible with thumb shifter
 Packing: 100PRS/CTN 10.8/9.8kgs
 Meas: 42 x 27 x 32cm
 铝合压铸螺及握把(BV210DG)
 尼龙加纤(无毒耐寒螺), 压铸铝合金握把(BV210CG)
 尼龙加纤(无毒耐寒螺), 高级塑料嵌入内铁成型握把(BV210PG)
 指幅类型: 3.0相容thumb或twist
 包装: 100套/箱
 毛重: 10.8千克 净重: 9.8千克
 材积: 42x27x32cm



BV210CG



BV210PG

**BV209DG/CG/PG**

Die-casted alloy bracket and Lever for-v-brake, or side-pull brake (BV209DG)
 Resin Bracket and Die-cast Alloy Lever (BV209CG)
 Resin Bracket and resin lever steel insert (BV209PG)
 2-2.5finger compatible with thumb shifter
 Packing: 100PRS/CTN 10.8/9.8kgs
 Meas: 42 x 27 x 32cm
 铝合压铸螺及握把(BV209DG)
 尼龙加纤(无毒耐寒螺), 压铸铝合金握把(BV209CG)
 尼龙加纤(无毒耐寒螺), 高级塑料嵌入内铁成型握把(BV209PG)
 指幅类型: 3.0相容thumb或twist
 包装: 100套/箱
 毛重: 10.8千克 净重: 9.8千克
 材积: 42x27x32cm



BV209CG



BV209PG

**BV221D/C/P**

Die-casted alloy bracket and Lever for-v-brake, or side-pull brake (BV221DG)
 Resin Bracket and Die-cast Alloy Lever (BV221CG)
 Resin Bracket and resin lever steel insert (BV221PG)
 2-2.5finger compatible with thumb shifter
 Packing: 100PRS/CTN 10.8/9.8kgs
 Meas: 42 x 27 x 32cm
 铝合压铸螺及握把(BV221DG)
 尼龙加纤(无毒耐寒螺)
 压铸铝合金握把(BV221CG)
 尼龙加纤(无毒耐寒螺)
 高级塑料嵌入内铁成型握把(BV221PG)
 指幅类型: 3.0相容thumb或twist
 包装: 100套/箱 毛重: 10.8千克 净重: 9.8千克
 材积: 42x27x32cm



BV221C



BV221P

**B115C/P**

Resin Bracket and Die-cast Alloy Lever (BV115C)
 2-2.5finger compatible with thumb shifter
 Resin Bracket and resin lever steel insert (BV115P)
 2-2.5finger compatible with thumb shifter
 Packing: 100PRS/CTN 10.8/9.8kgs
 Packing: 100PRS/CTN 21.4/19.4kgs
 Meas: 46 x 27 x 32cm
 尼龙加纤无毒耐寒螺, 压铸铝合金握把(BV115C)
 尼龙加纤无毒耐寒螺, 包铁握把(BV115P)
 指幅类型: 4.0相容thumb或twist
 包装: 100套/箱
 毛重: 21.4千克 净重: 19.4千克
 材积: 46x27x32cm



(BV115P)



V- TYPE BRAKE LEVER
for 20"-26" mtb cross comfort nexu

20"-26"V型刹把。
可配V型刹车器及侧拉、中拉夹器

**B215P**

Resin lever with steel insert(B215P)
2.5finger type for grip shifter
Packing: 100PRS/CTN 17/16kgs
Meas: 46 x 27 x 32cm
尼龙加纤(无毒耐寒螺)
高级塑料嵌入内铁成型握把
指幅类型: 2.50
包装: 50套/箱
毛重: 17千克 净重: 16千克
材积: 46x27x32cm

**B223P**

Resin Bracket and resin steel insert lever
2finger length for side-pull brake (BL)
Packing: 100PRS/CTN 10.8/9.8kgs
Meas: 46 x 27 x 32cm
尼龙加纤无毒耐寒螺
高级塑料嵌入内铁成型握把
指幅类型: 2.0相容thumb 或twist
包装: 100套/箱
毛重: 10.8千克 净重: 9.8千克
材积: 46x27x32cm

**B126SP**

Lightweight caliper brake lever
2-piece-steel hinged clamp
resin lever with steel insert
B126SP-1equipped with reach adjuster
Packing: 150PRS/CTN 20/19kgs
Meas: 46 x 27 x 32cm
童车用侧拉
分开式蝶与束锁紧於横管
高级塑料嵌入内铁成型握把
B126SP含握距微调螺丝
包装: 150副/箱 毛重: 20千克 净重: 19千克
材积: 46x27x32cm

**B211P**

Resin lever with steel insert(BV211P)
2.5finger type for grip shifter
Packing: 100PRS/CTN 17/16kgs
Meas: 46 x 27 x 32cm
尼龙加纤(无毒耐寒螺),高级塑料嵌入
内铁成型握把
指幅类型: 2.50
包装: 50套/箱
毛重: 17千克 净重: 16千克
材积: 46x27x32cm

**B213P**

Resin lever with steel insert(BV213P)
2.5finger type for grip shifter
Packing: 100PRS/CTN 17/16kgs
Meas: 46 x 27 x 32cm
尼龙加纤(无毒耐寒螺),高级塑料嵌入内
铁成型握把
指幅类型: 2.50
包装: 50套/箱
毛重: 17千克 净重: 16千克
材积: 46x27x32cm

**B208P**

Resin lever with steel insert(BV208P)
2.5finger type for grip shifter
Packing: 100PRS/CTN 17/16kgs
Meas: 46 x 27 x 32cm
尼龙加纤(无毒耐寒螺),高级塑料嵌入
内铁成型握把
指幅类型: 2.50
包装: 50套/箱
毛重: 17千克 净重: 16千克
材积: 46x27x32cm



B128SP

Lightweight caliper brake lever
2-piece-steel hinged clamp
resin lever with steel insert
B128P-1equipped with reach adjuster
Packing: 150PRS/CTN 20/19kgs
Meas: 46 x 27 x 32cm
轻便车用侧拉
分开式蝶与束锁紧於横管
高级塑料嵌入内铁成型握把
B128P含握距微调螺丝
包装: 150副/箱
毛重: 20千克 净重: 19千克
材积: 46x27x32cm



B140SP

Lightweight caliper brake lever
2-piece-steel hinged clamp
resin lever with steel insert
B140SP-1equipped with reach adjuster
Packing: 150PRS/CTN 20/19kgs
Meas: 46 x 27 x 32cm
轻便车用侧拉
分开式蝶与束锁紧於横管
高级塑料嵌入内铁成型握把
B140SP含握距微调螺丝
包装: 150副/箱
毛重: 20千克 净重: 19千克
材积: 46x27x32cm



B139SP

Lightweight caliper brake lever
2-piece-steel hinged clamp
resin lever with steel insert
B139SP-1equipped with reach adjuster
Packing: 150PRS/CTN 20/19kgs
Meas: 46 x 27 x 32cm
轻便车用侧拉
分开式蝶与束锁紧於横管
高级塑料嵌入内铁成型握把
B139SP含握距微调螺丝
包装: 150副/箱
毛重: 20千克 净重: 19千克
材积: 46x27x32cm



B391P

Resin Bracket and resin lever steel insert
3finger length for V-type or side-pull
brake (BL)
Packing: 100PRS/CTN 19/18kgs
Meas: 46 x 27 x 32cm
高级工程塑料蝶,高级塑料嵌入内铁成型
握把可配侧拉夹器
指幅类型: 3.0相容thumb或twist
包装: 100套/箱
毛重: 20千克 净重: 19千克
材积: 46x27x32cm



B392C

Resin Bracket and Die-cast Alloy Lever (B392C)
2-3finger compatible with thumb shifter
Packing: 100PRS/CTN 10.8/9.8kgs
Packing: 100PRS/CTN 21.4/19.4kgs
Meas: 46 x 27 x 32cm
尼龙加纤无毒耐寒蝶,压铸铝合金握把
(B392C)
指幅类型: 2-3.0相容thumb或twist
包装: 100套/箱
毛重: 21.4千克 净重: 19.4千克
材积: 46x27x32cm



B392P

Resin Bracket and resin lever steel insert (B392P)
2-3finger compatible with thumb shifter
Packing: 100PRS/CTN 10.8/9.8kgs
Packing: 100PRS/CTN 21.4/19.4kgs
Meas: 46 x 27 x 32cm
尼龙加纤无毒耐寒蝶,包铁握把(B392P)
指幅类型: 2-3.0相容thumb或twist
包装: 100套/箱
毛重: 21.4千克 净重: 19.4千克
材积: 46x27x32cm



B212P

2-piece-steel hinged clamp
resin lever with steel insert
B212P-1equipped with reach adjuster
Packing: 150PRS/CTN 20kgs
Meas: 46 x 27 x 32cm
分开式蝶与束锁紧於横管
尼龙加纤嵌入内铁成型握把
B212P含握距微调螺丝
包装: 150副/箱
毛重: 20千克 净重: 19千克
材积: 46x27x32cm



B218C/P

Resin lever with steel insert (BV218P)
Resin Bracket and Die-cast Alloy Lever
(BV218C)
2.5finger type for gRip shifter
Packing: 100PRS/CTN 15/14kgs (218P)
Meas: 46 x 26 x 30cm
尼龙加纤(无毒耐寒蝶),高级塑料嵌入内铁
成型握把BV型
尼龙加纤(无毒耐寒蝶),压铸铝合金握把
指幅类型: 2.50
包装: 50套/箱
毛重: 15千克 净重: 14千克
材积: 46x26x30cm



BV219P

Resin lever with steel insert(BV219P)
2.5finger type for grip shifter
Packing: 100PRS/CTN 17/16kgs
Meas: 46 x 27 x 32cm
尼龙加纤(无毒耐寒蝶),高级塑料嵌入内铁
成型握把
指幅类型: 2.50
包装: 50套/箱
毛重: 17千克 净重: 16千克
材积: 46x27x32cm



BV214P

Resin lever with steel insert(BV214P)
2.5finger type for grip shifter
Packing: 100PRS/CTN 17/16kgs
Meas: 46 x 26 x 30cm
高级工程塑料蝶,高级塑料嵌入成型握把
指幅类型: 2.50
包装: 50套/箱
毛重: 17千克 净重: 16千克
材积: 46x26x33cm



BV220P

Resin lever with steel insert(BV220P)
2.5finger type for grip shifter
Packing: 100PRS/CTN 17/16kgs
Meas: 46 x 27 x 32cm
尼龙加纤(无毒耐寒蝶),高级塑料嵌入内铁
成型握把
指幅类型: 2.50
包装: 50套/箱
毛重: 17千克 净重: 16千克
材积: 46x27x32cm

**VB-953DK/DS**

95m/m Diecast Alloy V-brake
Dual coil (953DS) /linear spring w/
tension adjuster (953DK)
Packing: 50SETS/CTN 20/19kgs
Meas: 36 x 28 x 27cm
110m/m 压铸铝合金V型
标准回复扭簧(953DS)
可选线性弹簧(953DK)
包装: 50套/箱
毛重: 20千克 净重: 19千克
材积: 36x28x27 cm

**VB-954DK/DS**

95m/m Diecast Alloy V-brake
Dual coil (954DS) /linear spring w/tension adjuster
(954DK)
Packing: 50SETS/CTN 20/19kgs
Meas: 36 x 28 x 27cm
110m/m 压铸铝合金V型
标准回复扭簧(954DS), 可选线性弹簧(954DK)
包装: 50套/箱
毛重: 20千克 净重: 19千克
材积: 36x28x27 cm

**VB-956DK/DS**

103m/m Diecast Alloy V-brake
Dual coil (956DS) /linear spring w/
tension adjuster (956DK)
Packing: 50SETS/CTN 19/18kgs
Meas: 36 x 28 x 27cm
103m/m 压铸铝合金V型
标准回复扭簧(956DS), 可选线性弹
簧(956DK)
包装: 100套/箱
毛重: 19千克 净重: 18千克
材积: 36x28x27cm

**VB-962DK/DS**

110m/m Diecast Alloy V-brake
Dual coil (962DS) /linear spring w/tension adjuster
(962DK)
Packing: 50SETS/CTN 19/18kgs
Meas: 36 x 28 x 27cm
110m/m 压铸铝合金V型, 配合挡泥板
标准回复扭簧(962DS), 可选线性弹簧(962DK)
包装: 50套/箱
毛重: 19千克 净重: 18千克
材积: 36x28x27 cm



VB-962DKG
(铁调整座)



v-brake
for mtb & cross bike

V型
刹车器。

**VB-970DK/DS**

110m/m Diecast Alloy V-brake
Dual coil (970DS) /linear spring w/tension
adjuster (970DK)
Packing:50SETS/CTN 19/18kgs
Meas: 36 x 28 x 27cm
110m/m 压铸铝合金V型, 配合挡泥板
标准回复扭簧(970DS), 可选线性弹簧
(970DK)
包装: 100套/箱
毛重: 19千克 净重: 18千克
材积: 36x28x27cm

**VB-971DK/DS**

110m/m Diecast Alloy V-brake
Dual coil (971DS) /linear spring w/tension
adjuster (971DK)
Packing:50SETS/CTN 19/18kgs
Meas: 36 x 28 x 27cm
110m/m 压铸铝合金V型, 配合挡泥板
标准回复扭簧(971DS), 可选线性弹簧
(971DK)
包装: 100套/箱
毛重: 19千克 净重: 18千克
材积: 36x28x27cm

**VB-978DK/DS**

115m/m Diecast Alloy V-brake
Dual coil (978DS) /linear spring w/tension
adjuster (978DK)
Packing:50SETS/CTN 19/18kgs
Meas: 36 x 28 x 27cm
115m/m 压铸铝合金V型, 配合挡泥板
标准回复扭簧(978DS), 可选线性弹簧
(978DK)
包装: 100套/箱
毛重: 19千克 净重: 18千克
材积: 36x28x27cm

**VB-979DS**

110m/m Diecast Alloy V-brake
Dual coil (979DS)
Packing: 50SETS/CTN 20/19kgs
Meas: 36 x 28 x 27cm
110m/m 压铸铝合金V型, 配合挡泥板
标准回复扭簧(979DS)
包装: 50套/箱
毛重: 20千克 净重: 19千克
材积: 36x28x27 cm

**VB-963DK/DS**

110m/m Diecast Alloy V-brake
 Dual coil (963DS) /linear spring w/tension adjuster (963DK)
 Packing: 50SETS/CTN 19/18kgs
 Meas: 36 x 28 x 27cm
 110m/m 压铸铝合金V型,配合挡泥板
 标准回复扭簧(963DS), 可选线性弹簧(963DK)
 包装: 50套/箱
 毛重: 19千克 净重: 18千克
 材积: 36x28x27 cm

**VB-987DK**

110m/m Diecast Alloy V-brake
 Dual coil (987DS) /linear spring w/tension adjuster (987DK)
 Packing: 50SETS/CTN 19/18kgs
 Meas: 36 x 28 x 27cm
 110m/m 压铸铝合金V型,配合挡泥板
 标准回复扭簧(987DS), 可选线性弹簧(987DK)
 包装: 50套/箱
 毛重: 19千克 净重: 18千克
 材积: 36x28x27 cm



VB-964DKG
 (铁调整座)

VB-964DK/DS

110m/m Diecast Alloy V-brake
 Dual coil (964DS) /linear spring w/tension adjuster (964DK)
 Packing: 50SETS/CTN 19/18kgs
 Meas: 36 x 28 x 27cm
 110m/m 压铸铝合金V型,配合挡泥板
 标准回复扭簧(964DS), 可选线性弹簧(964DK)
 包装: 50套/箱
 毛重: 19千克 净重: 18千克
 材积: 36x28x27 cm



VB-965DKG
 (铁调整座)

VB-965DK/DS

110m/m Diecast Alloy V-brake
 Dual coil (965DS) /linear spring w/tension adjuster (965DK)
 Packing: 50SETS/CTN 19/18kgs
 Meas: 36 x 28 x 27cm
 110m/m 压铸铝合金V型, 配合挡泥板
 标准回复扭簧(965DS), 可选线性弹簧(965DK)
 包装: 100套/箱
 毛重: 19千克 净重: 18千克
 材积: 36x28x27cm

**VB-RE965DK/DS**

Main reverse 110m/m Diecast Alloy V-brake
 Dual coil (RE965DS) /linear spring w/tension adjuster (RE965DK)
 Packing: 50SETS/CTN 19/18kgs
 Meas: 36 x 28 x 27cm
 反向主体110m/m 压铸铝合金V型, 配合挡泥板
 标准回复扭簧(RE965DS), 可选线性弹簧(RE965DK)
 包装: 100套/箱
 毛重: 19千克 净重: 18千克
 材积: 36x28x27cm

**VB-N968SK**

110m/m--120m/m, steel V-brake
 Dual coil/linear spring w/tension adjuster
 Packing: 50SETS/CTN 19.9/18.9kgs
 Meas: 36 x 26 x 27cm
 长度110m/m-120m/m, 铁冲压V型, 配合挡泥板
 标准回复扭簧, 可选线性弹簧
 包装: 50套/箱
 毛重: 19.9千克 净重: 18.9千克
 材积: 36x26x27cm

**VB-975SK**

110m/m, steel V-brake
 Dual coil/linear spring w/tension adjuster
 Packing: 50SETS/CTN 21.7/20.7kgs
 Meas: 36 x 26 x 27cm
 长度110m/m-120m/m,
 铁冲压V型, 配合挡泥板
 标准回复扭簧, 可选线性弹簧
 包装: 50套/箱
 毛重: 21.7千克 净重: 20.7千克
 材积: 36x26x27cm

**CB-859D**

Diecast alloy cantilever brake arms
 Brake shoes: 50-60mm
 Packing: 50 Sets/CTN 20/19kgs
 Meas: 39 x 24 x 27cm
 铝合金悬臂闸
 闸皮长度: 50-60mm
 包装: 50套/箱
 毛重: 20千克 净重: 19千克
 材积: 39x24x27cm

**CB-858P**

Nylon with steel-reinforced insertion
 cantilever brake arms
 Brake shoes: 50-60mm
 Packing: 50 Sets/CTN 18/17kgs
 Meas: 36 x 26 x 23cm
 增强钢芯尼龙悬臂闸
 闸皮长度: 50-60mm
 包装: 50套/箱
 毛重: 18千克 净重: 17千克
 材积: 36x26x23cm

**VB-966DK/DS**

110m/m Diecast Alloy V-brake
Dual coil (966DS) /linear spring w/tension adjuster (966DK)
Packing: 50SETS/CTN 20/19kgs
Meas: 36 x 28 x 27cm
110m/m 压铸铝合金V型,配合挡泥板
标准回复扭簧(966DS), 可选线性弹簧(966DK)
包装: 50套/箱
毛重: 20千克 净重: 19千克
材积: 36x28x27 cm



VB-966DK
(铝调整座)

**VB-L967DK/DS**

120m/m Diecast Alloy V-brake
Dual coil (L967DS) /linear spring w/tension adjuster (L967DK)
Dual coil (967DS) /linear spring w/tension adjuster (967DK)
Packing: 50SETS/CTN 20/19kgs
Meas: 36 X 28 X 27cm
120m/m 压铸铝合金V型, 配合挡泥板
标准回复扭簧(L967DS), 可选线性弹簧(L967DK)
压铸铝合金V型, 配合挡泥板
包装: 50套/箱
毛重: 20千克 净重: 19千克
材积: 36x28x27cm

L967D

**VB-967DK/DS**

110m/m Diecast Alloy V-brake
Dual coil (967DS) /linear spring w/tension adjuster (967DK)
Packing: 50SETS/CTN 20/19kgs
Meas: 36 X 28 X 27cm
110m/m 压铸铝合金V型, 配合挡泥板
标准回复扭簧(967DS), 可选线性弹簧(967DK)
包装: 50套/箱
毛重: 20千克 净重: 19千克
材积: 36x28x27cm

**VB-961DK/DS**

110m/m Diecast Alloy V-brake
Dual coil (961DS) /linear spring w/tension adjuster (961DK)
Packing: 50SETS/CTN 19/18kgs
Meas: 36 x 28 x 27cm
110m/m 压铸铝合金V型, 配合挡泥板
标准回复扭簧(961DS), 可选线性弹簧(961DK)
包装: 100套/箱
毛重: 19千克 净重: 18千克
材积: 36x28x27cm

**VB-988DK/DS**

110m/m Diecast Alloy V-brake
 Dual coil (988DS) /linear spring w/tension adjuster (988DK)
 Packing: 50SETS/CTN 20/19kgs
 Meas: 36 X 28 X 27cm
 110m/m 压铸铝合金V型, 配合挡泥板
 标准回复扭簧(988DS), 可选线性弹簧(988DK)
 包装: 50套/箱
 毛重: 20千克 净重: 19千克
 材积: 36x28x27cm

**VB-989DK/DS**

110m/m Diecast Alloy V-brake
 Dual coil (989DS) /linear spring w/tension adjuster (989DK)
 Packing: 50SETS/CTN 20/19kgs
 Meas: 36 X 28 X 27cm
 110m/m 压铸铝合金V型, 配合挡泥板
 标准回复扭簧(989DS), 可选线性弹簧(989DK)
 包装: 50套/箱
 毛重: 20千克 净重: 19千克
 材积: 36x28x27cm

**VB-951DK**

95m/m Diecast Alloy V-brake
 Dual coil (951DS) /linear spring w/tension adjuster (951DK)
 Packing: 50SETS/CTN 20/19kgs
 Meas: 42 x 27 x 33cm
 95m/m 压铸铝合金V型夹器
 标准回复扭簧(951DS), 可选线性弹簧(951DK)
 包装: 50套/箱
 毛重: 20千克 净重: 19千克
 材积: 46x27x33 cm

**VB-968SK**

103m/m--120m/m, steel V-brake
 Dual coil/linear spring w/tension adjuster
 Packing: 50SETS/CTN 19.9/18.9kgs
 Meas: 36 x 28 x 27cm
 长度110m/m-120m/m, 铁冲压V型, 配合挡泥板
 标准回复扭簧, 可选线性弹簧
 包装: 50套/箱
 毛重: 19.9千克 净重: 18.9千克
 材积: 36x28x27cm

**VB-981P**

110m/m, All resin V-brake with steel inset
Dual coil Spring
Packing: 50SETS/CTN 21.7/ 20.7kgs
Meas: 36 x 28 x 27cm
长度110m/m高级塑料嵌入内铁成V型
标准回复扭簧
包装: 50套/箱
毛重: 21.7千克 净重: 20.7千克
材积: 36x28x27cm

**VB-982P**

110m/m, All resin V-brake with steel inset
Dual coil Spring
Packing: 50SETS/CTN 22/ 21kgs
Meas: 36 x 28 x 27cm
长度110m/m高级塑料嵌入内铁成V型
标准回复扭簧
包装: 50套/箱
毛重: 22千克 净重: 21千克
材积: 36x28x27cm

**VB-983P**

110-120m/m, All resin V-brake
with steel inset
Dual coil Spring
Packing: 50SETS/CTN 21.7/ 20.7kgs
Meas: 36 x 28 x 27cm
长度120m/m高级塑料嵌入内铁成V型
标准回复扭簧
包装: 50套/箱
毛重: 21.7千克 净重: 20.7千克
材积: 36x28x27cm

**VB-984P**

110m/m, All resin V-brake with steel inset
Dual coil Spring
Packing: 50SETS/CTN 22/ 21kgs
Meas: 36 x 28 x 27cm
长度110m/m高级塑料嵌入内铁成V型
标准回复扭簧
包装: 50套/箱
毛重: 22千克 净重: 21千克
材积: 36x28x27 cm

**VB-985P**

115m/m, All resin V-brake with steel inset
Dual coil Spring
Packing: 50SETS/CTN 22/ 21kgs
Meas: 36 x 28 x 27cm
长度115m/m高级塑料嵌入内铁成V型
标准回复扭簧
包装: 50套/箱
毛重: 22千克 净重: 21千克
材积: 36x28x27cm

**SB-1002D**

Die-cast alloy caliper brake
 Dimension: 73-91mm
 Optional finish: Hi-polish, color to order
 Packing: 50SETS/CTN 18.5/17.5kgs
 Meas: 52 x 29 x 27cm
 压铸铝合金侧拉闸
 刹车块上下限73-91mm
 表面处理: 高抛或依指定
 包装: 50套/箱
 毛重: 18.5千克 净重: 17.5千克
 材积: 52x29x27cm

**SB-1000SE**

Steel arm caliper brake
 Micro cable adjusterv equipped
 Dimension: 73-91mm
 Optional finish: Hi-polish, color to order
 Packing: 50SETS/CTN 20/19kgs
 Meas: 52 x 29 x 27cm
 铁冲压成型侧拉式刹车器
 配有刹线松紧微调节座
 刹车块上下限73-91mm
 表面处理高抛或依指定
 包装: 50套/箱
 毛重: 20千克 净重: 19千克
 材积: 46x27x33cm

**SB-810SE**

Steel arm caliper brake
 Micro cable adjusterv equipped
 Dimension: 65-87mm
 Optional finish: Hi-polish, color to order
 Packing: 50SETS/CTN 20/19kgs
 Meas: 52 x 29 x 27cm
 铁冲压成型侧拉式刹车器
 配有刹线松紧微调节座
 刹车块上下限65-87mm
 表面处理高抛或依指定
 包装: 50套/箱
 毛重: 20千克 净重: 19千克
 材积: 46x27x33cm

**SB-1020SE**

Steel arm caliper brake
 Micro cable adjusterv equipped
 Dimension: 73-91mm
 Optional finish: Hi-polish, color to order
 Packing: 50SETS/CTN 20/19kgs
 Meas: 52 x 29 x 27cm
 铁冲压成型侧拉式刹车器
 配有刹线松紧微调节座
 刹车块上下限73-91mm
 表面处理高抛或依指定
 包装: 50套/箱
 毛重: 20千克 净重: 19千克
 材积: 46x27x33cm



线管 Outer cable





945-0



935-25



940-0



T940-25



T935-8



955-0



S960-0



S961-0



S970-0



960-0



961-0



971-0



960-01



970-01



955-01



960-02



970-02



970-2

**YC-60**

Drum diam: $\phi 60$ mm
 Finish: ed black or cp.
 Screw type: British or Metric
 Packing: 100PCS/CTN 21/20kgs,
 Meas: 40 x 28 x 19cm
 规格: 刹鼓 $\phi 60$ mm
 表面处理: 电泳漆, 镀铬
 螺纹: 英/公制
 包装: 100只/箱
 毛重: 21千克 净重: 20千克
 材积: 40x28x19cm

**YC-70**

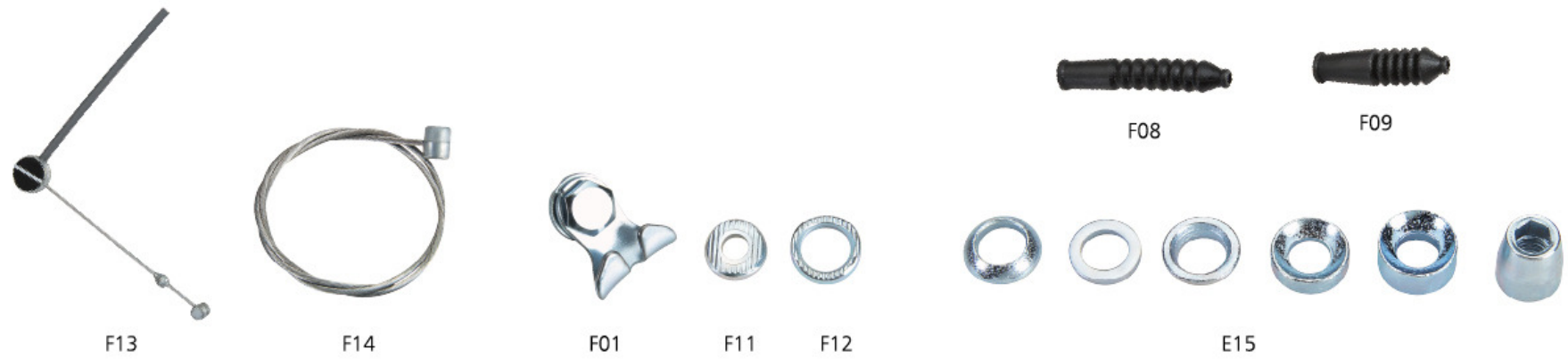
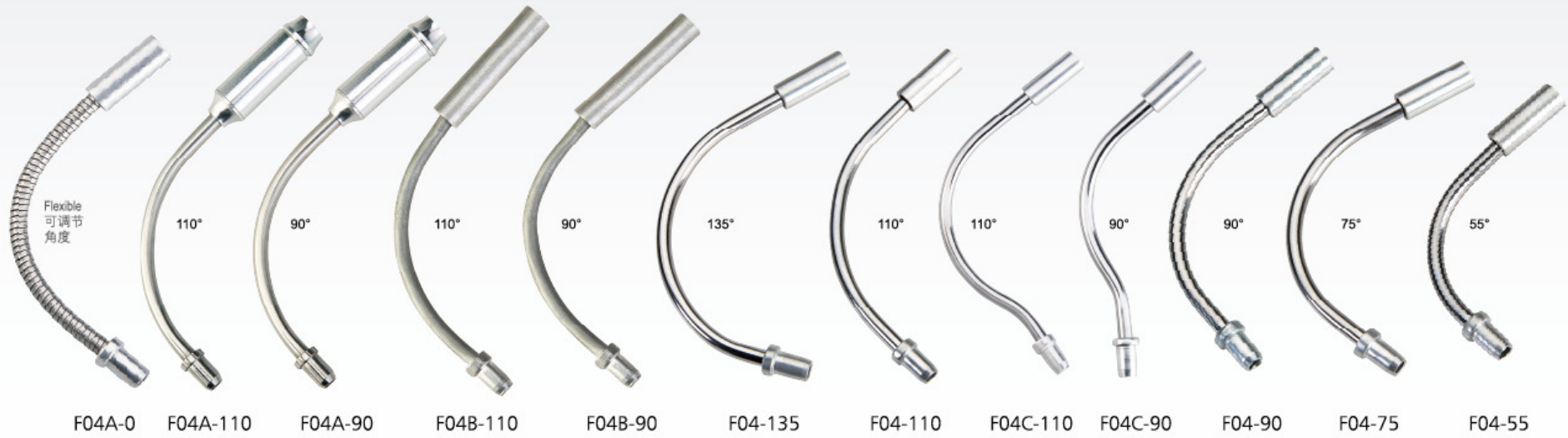
Drum diam: $\phi 70$ mm
 Finish: ed black or cp.
 Screw type: British or Metric
 Packing: 50PCS/CTN 13/12kgs
 Meas: 36 x 25 x 16cm
 规格: 刹鼓 $\phi 70$ mm
 表面处理: 电泳漆, 镀铬
 螺纹: 英/公制
 包装: 50只/箱
 毛重: 13千克 净重: 12千克
 材积: 36x25x16cm

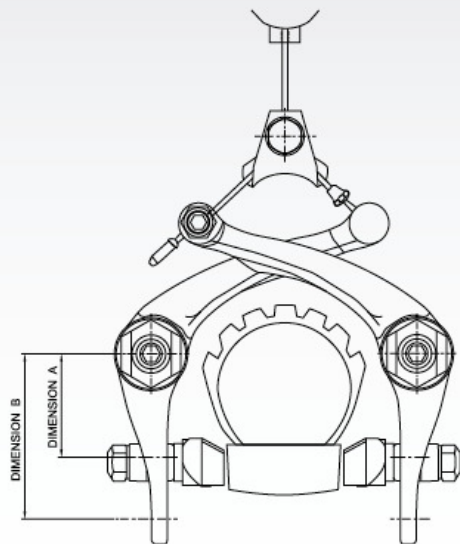
**YC-80**

Drum diam: $\phi 80$ mm
 Finish: ed black or cp.
 Screw type: British or Metric
 Packing: 50PCS/CTN 17/16kgs
 Meas: 40 x 28 x 19cm
 规格: 刹鼓 $\phi 80$ mm
 表面处理: 电泳漆, 镀铬
 螺纹: 英/公制
 包装: 50只/箱
 毛重: 17千克 净重: 16千克
 材积: 40x28x19cm

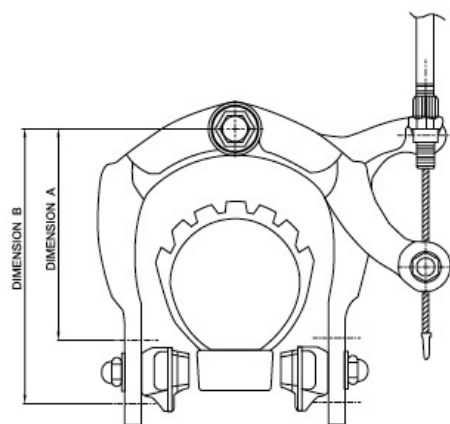
**YC-90**

Drum diam: $\phi 90$ mm
 Finish: ed black or cp.
 Screw type: British or Metric
 Packing: 50PCS/CTN 23/22kgs
 Meas: 40 x 28 x 19cm
 规格: 刹鼓 $\phi 90$ mm
 表面处理: 电泳漆, 镀铬
 螺纹: 英/公制
 包装: 60只/箱
 毛重: 23千克 净重: 22千克
 材积: 40x28x19cm



**U-Brake****U-type brake**

型号 Model	材质 Material	尺寸 Dimension		重量 Weight g/wheel
		A(m/m)	B(m/m)	
U969S	Steel	33	59	223
U969D	Die-casted all	33	53	224

**Side-pull Brake****Side-pull brake**

型号 Model	材质 Material	尺寸 Dimension		重量 Weight g/wheel
		A(m/m)	B(m/m)	
SB-1001D	Die-casted all	65	85	198
SB-1002D	Die-casted all	73	91	191
SB-810SE	Steel	65	87	248
SB-1001S	Steel	75	95	268
SB-1000SE	Steel	73	94	248
SB-1020SE	Steel	73	94	238

2



3

Y

I

N



H



B

C

Y

C

L

E

S

慈溪市银驰车业有限公司

Yinchi Bicycle Industry Co., Ltd.

地址：中国宁波慈溪市胜山工业区胜山大道888号

Add: Shengshan Industrial Zone, Cixi, Ningbo, China

Tel: (+86)574 63528877 63528866 15958268166 Fax: (+86)574 63528066

E-mail: wangzhidong5198@msn.com

Skype: WANGZHIDONG9

QQ: 734990911

广州办事处 Guangzhou office

地址：广州番禺市大石镇东联四方

Add: DongLiansifang, Dashi Town, Panyu City, Guangzhou

Tel: 020-84781984 Fax: 020-84781984 Mobil phone: 013902209781

天津办事处

地址：天津市东丽区河兴庄北方自行车商城D区22号

Tel: 022-58998727 58998607 Fax: 022-58998608

www.hy-sparkle.com.cn

产品经由中国人民保险公司提供产品质量保险

The product liability insurance has been insured by PICC.

产品已通过欧洲EN标准检测

The products has passed European EN standard certification.

C

A

T

A

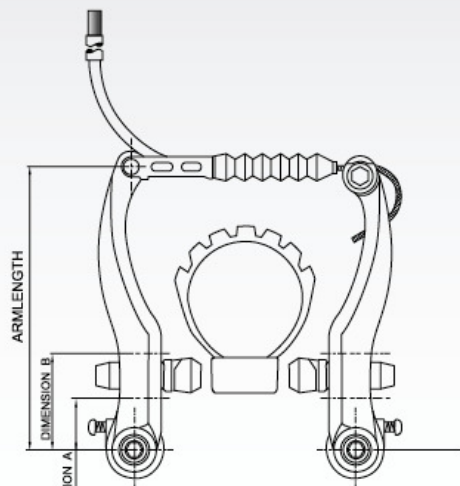
L



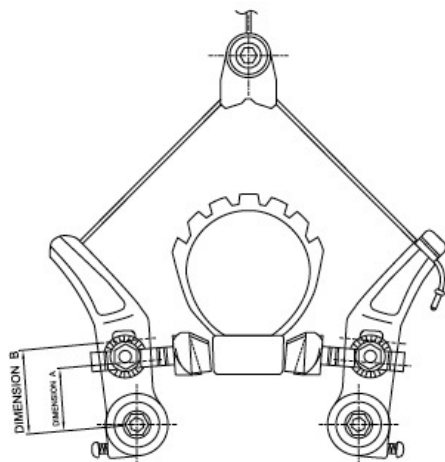
G

U

E



V-Brake



Canti-Brake

V-type brake

型号 Model	材质 Material	臂长 Arm Length m/m	尺寸 Dimension A(m/m) B(m/m)		重量 WEIGHT g/wheel
VB-962DK	Die-casted all	110	20	38	196
VB-963DK	Die-casted all	110	20	38	196
VB-964DK	Die-casted all	110	20	38	196
VB-965DK	Die-casted all	110	20	38	196
VB-966DK	Die-casted all	110	20	38	196
VB-989DK	Die-casted all	110	20	38	193
VB-978DK	Die-casted all	110	20	37	174
VB-953DK	Die-casted all	95	18	36	166
VB-954DK	Die-casted all	93	18	36	166
VB-956DDK	Die-casted all	100	20	37	160
VB-L967DK	Die-casted all	120	23	40	210
VB-967DK	Die-casted all	110	20	38	198
VB-979DK	Die-casted all	110	20	38	198
VB-951DK	Die-casted all	95	18	36	178
VB-981P	Resin with steel	110	20	41	205
VB-982P	Resin with steel	110	20	41	207
VB-983P	Resin with steel	103	20	33	211
VB-984P	Resin with steel	110	20	40	201
VB-985P	Resin with steel	102	20	40	201
VB-975SK	steel	110	20	48	206
VB-968SK	steel	103-120	20	39	201
VB-N968SK	steel	103-120	20	39	210

Canti brake

型号 Model	材质 Material	尺寸 Dimension A(m/m) B(m/m)		重量 Weight g/wheel
CB-859D	Die-casted all	22	31	183
CB858P	Resin with steel	23	32	206

2



3

Y I N C H

YINCHI BICYCLES
ACCESSORIES

B C Y C L E S



A C C E S S O R I E S

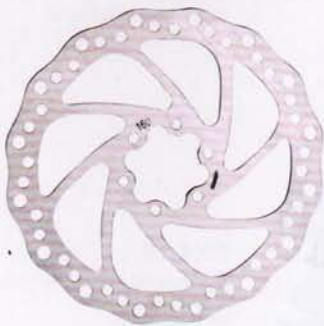
C A T A L O G U E

SPARKLE®



SPARKLE

ROTORS 碟盘



MK01

Popular wave
Stiffness, high heated finish
Thickness: 2.0mm
Diameter: 140mm, 160mm, 180mm, 203mm
Weight: 150grams



with flange



MK02

Light wave
Stiffness, high heated finish
Thickness: 2.0mm
Diameter: 160mm
Weight: 120grams



MK03

Hot escape
Stiffness, high heated finish
Thickness: 2.0mm
Diameter: 160mm
Weight: 120grams



MK04

Smart wave
Stiffness, high heated finish
Thickness: 2.0mm
Diameter: 160mm
Weight: 120grams

ALLOY V-BRAKE 全铝刹把



BV393DG

4 finger alloy lever
Packing: 100PRS/CTN
G.W./N.W.: 19/18kgs
Meas: 46 x 27 x 35 cm
4指式铝合金闸把
座架回位弹簧
包装: 100副/箱
毛重: 19千克 净重: 18千克
材积: 46 x 27 x 35 cm



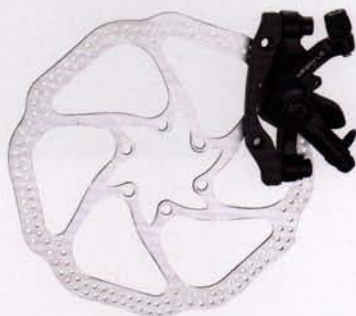
BV445DG

4 finger alloy lever
Packing: 100PRS/CTN
G.W./N.W.: 19/18kgs
Meas: 46 x 27 x 35 cm
4指式铝合金闸把
座架回位弹簧
包装: 100副/箱
毛重: 19千克 净重: 18千克
材积: 46 x 27 x 35 cm

慈溪市银驰车业有限公司 CIXI YINCHI BICYCLE INDUSTRY CO., LTD.

地址: 宁波慈溪市胜山工业区胜山大道888号 SHENGSHAN INDUSTRIAL ZONE, CIXI, NINGBO, CHINA TEL: +86-574-63528866/63528877/15958268166
FAX: (+86)574 63528066 E-MAIL: WANGZHIDONG5198@MSN.COM SKYPE: WANGZHIDONG9 QQ: 734990911 HTTP://WWW.HY-SPARKLE.COM.CN

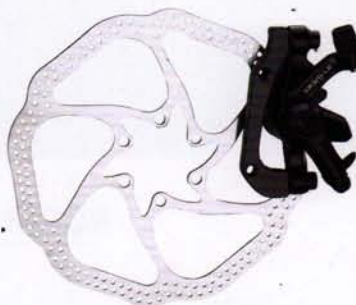
DISC BRAKE 机械碟刹



MK6.0F

Melt forged aluminum mechanical disc brake
 Aluminum alloy caliper
 For F160/R140mm
 W/return spring & metallic compound pads
 Easy installation and low maintenance
 Weight 213g/wheel
 压铸铝合金机械式碟刹，转接座
 适用于 F160/R140mm
 标准自动回位弹簧，易安装维护
 重量：213g/wheel

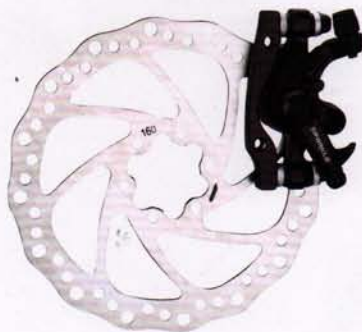
浮动式内调
 Inner Floating Adjusted



MK6.0R

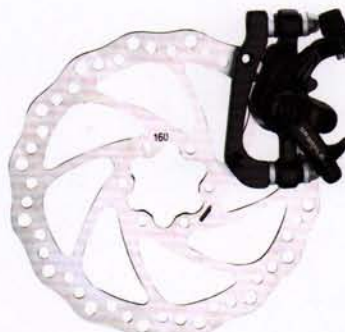
Melt forged aluminum mechanical disc brake
 Aluminum alloy caliper
 For F180/R160mm
 W/return spring & metallic compound pads
 Easy installation and low maintenance
 Weight 254g/wheel
 压铸铝合金机械式碟刹，转接座
 适用于 F180/R160mm
 标准自动回位弹簧，易安装维护
 重量：254g/wheel

浮动式内调
 Inner Floating Adjusted



MK6.1F

Melt forged aluminum mechanical disc brake
 Aluminum alloy caliper
 For F160/R140mm
 W/return spring & metallic compound pads
 Easy installation and low maintenance
 Weight 209g/wheel
 压铸铝合金机械式碟刹，转接座
 适用于 F160/R140mm
 标准自动回位弹簧，易安装维护
 重量：209g/wheel



MK6.1R

Melt forged aluminum mechanical disc brake
 Aluminum alloy caliper
 For F180/R160mm
 W/return spring & metallic compound pads
 Easy installation and low maintenance
 Weight 212g/wheel
 压铸铝合金机械式碟刹，转接座
 适用于 F180/R160mm
 标准自动回位弹簧，易安装维护
 重量：212g/wheel



MK6.2F

Melt forged aluminum mechanical disc brake
 Aluminum alloy caliper
 For F160/R140mm
 W/return spring & metallic compound pads
 Easy installation and low maintenance
 Weight 182g/wheel
 压铸铝合金机械式碟刹，转接座
 适用于 F160/R140mm
 标准自动回位弹簧，易安装维护
 重量：182g/wheel



MK6.2R

Melt forged aluminum mechanical disc brake
 Aluminum alloy caliper
 For F180/R160mm
 W/return spring & metallic compound pads
 Easy installation and low maintenance
 Weight 183g/wheel
 压铸铝合金机械式碟刹，转接座
 适用于 F180/R160mm
 标准自动回位弹簧，易安装维护
 重量：183g/wheel



MK6.3F

Melt forged aluminum mechanical disc brake
 Aluminum alloy caliper
 Adaptor for F160/R140mm
 W/return spring & metallic compound pads
 Easy installation and low maintenance
 Pads: For Deore
 Weight 260g/wheel
 压铸铝合金机械式碟刹，转接座
 适用于 F160/R140mm
 Deore 刹车块
 标准自动回位弹簧，易安装维护
 重量：260g/wheel



MK6.3R

Melt forged aluminum mechanical disc brake
 Aluminum alloy caliper
 For F180/R160mm
 W/return spring & metallic compound pads
 Easy installation and low maintenance
 Pads: For Deore
 Weight 260g/wheel
 压铸铝合金机械式碟刹，转接座
 适用于 F180/R160mm
 Deore 刹车块
 标准自动回位弹簧，易安装维护
 重量：260g/wheel

